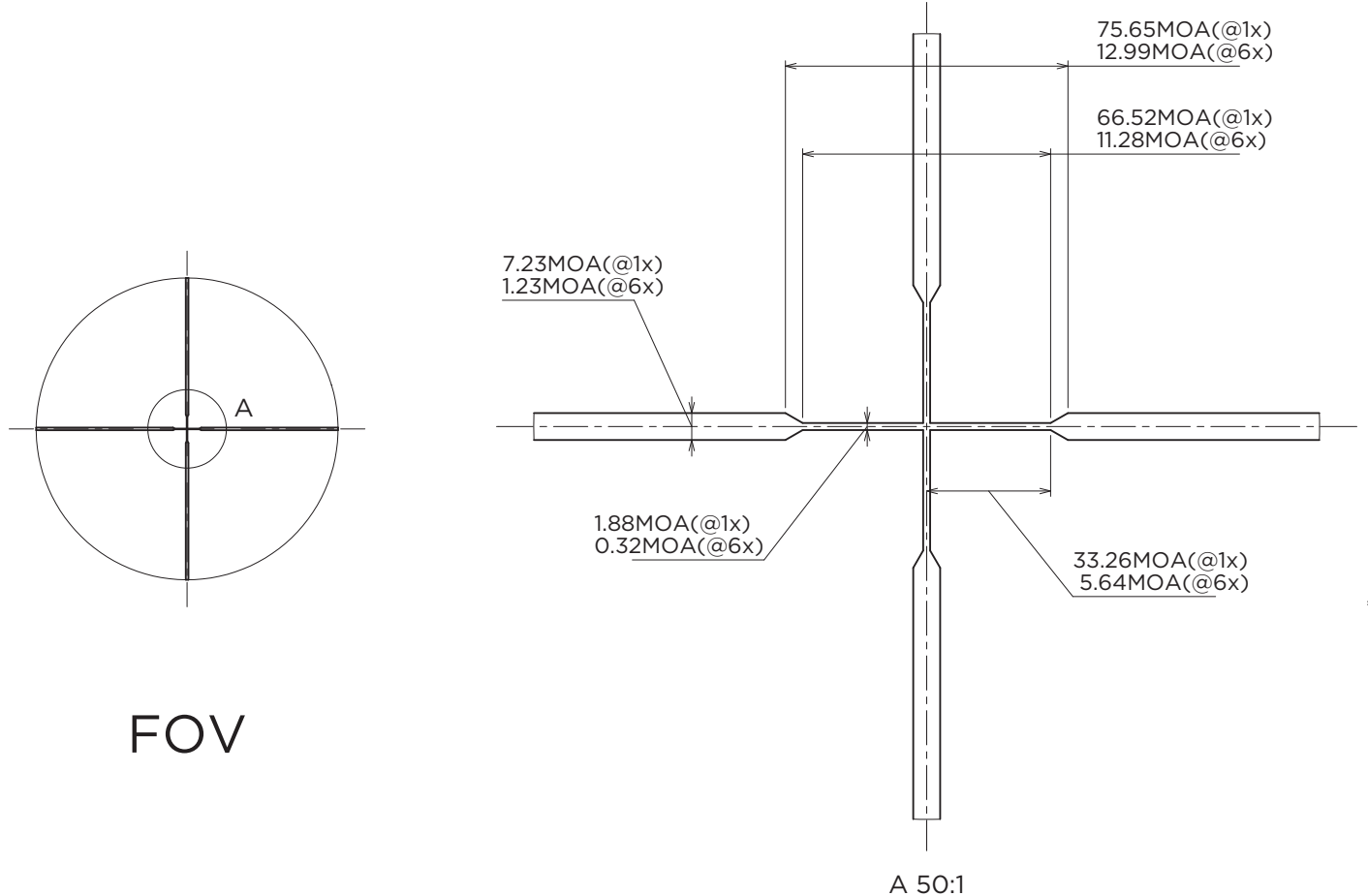
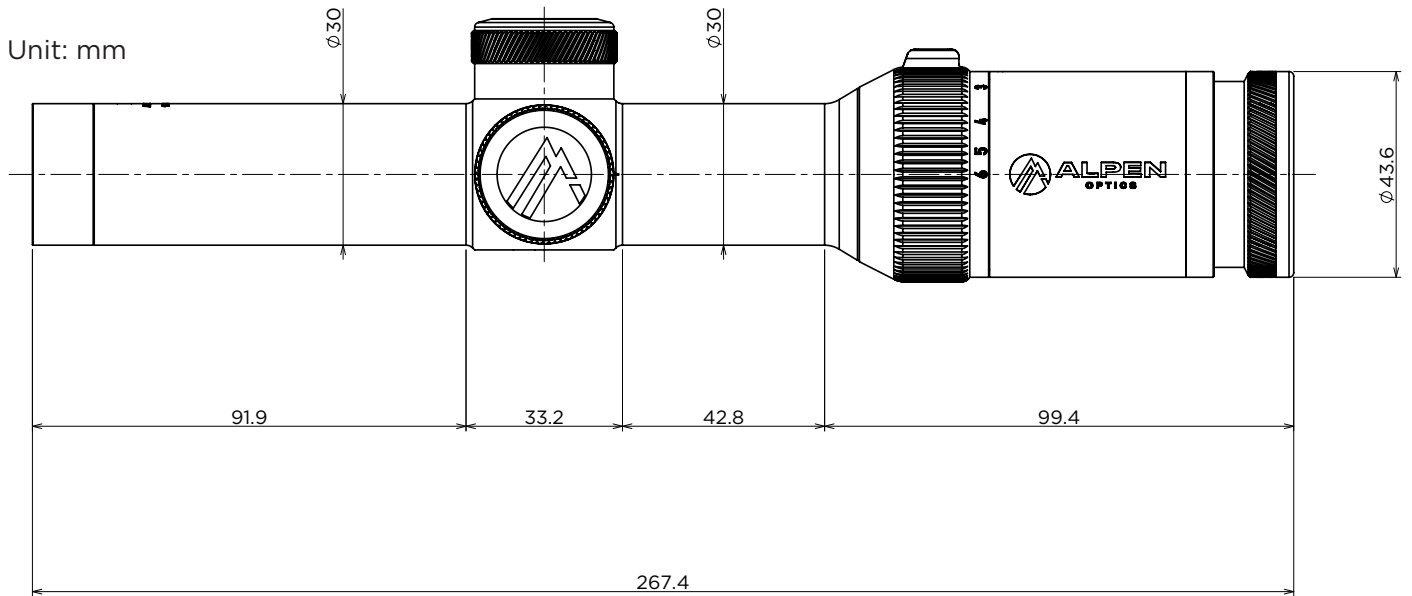


1-6x24 DUPLEX



DISCOVER THE DIFFERENCE